

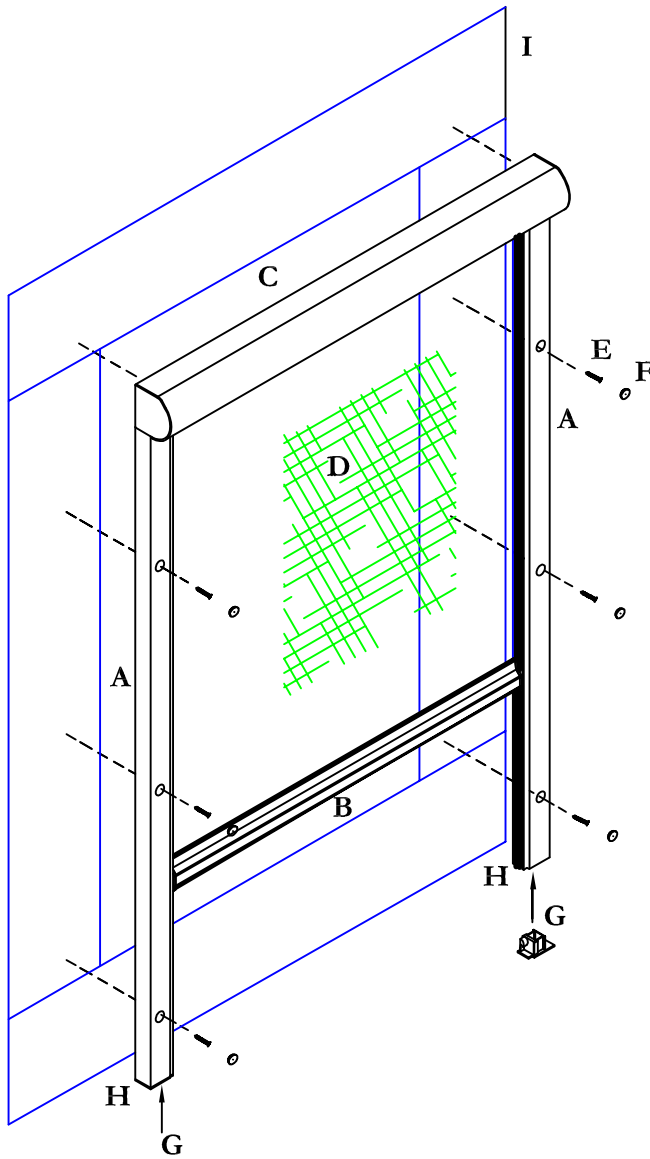
# Serene Design Specifications

## External Assembled View

For Illustration Purposes Only - Not Drawn to Scale

All Dimensions Are Shown In Inches and Millimeters In Brackets

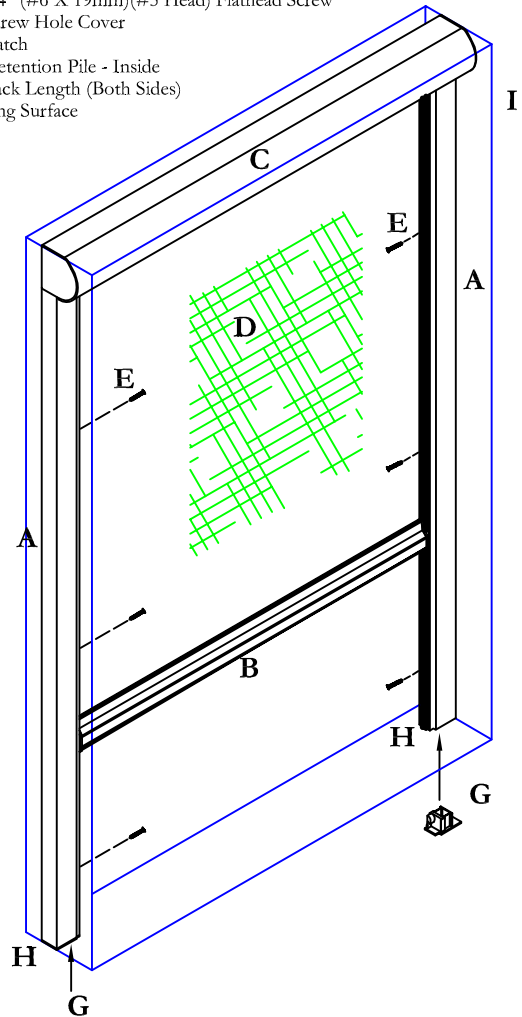
All components are color matched except the Mesh.



**SURFACE MOUNT  
APPLICATION**

### Parts Spec

- A Aluminum Track  
Standard Version - 57/64"W x 1-3/8"H (23mm W x 35mm H)  
Short Version - 57/64"W x 29/32"H (23mm W x 23mm H)
- B Aluminum Slide Bar  
23/32"W x 1-13/32"H (18mm W x 36mm H)
- C Aluminum Housing Assembly  
2-19/64"W x 2-7/64"H (58mm W x 53mm H)
- D PVC Coated Fiberglass Mesh
- E #6 x 3/4" (#6 X 19mm)(#5 Head) Flathead Screw
- F Track Screw Hole Cover
- G Track Latch
- H Mesh Retention Pile - Inside  
Full Track Length (Both Sides)
- I Mounting Surface



**INSIDE JAMB MOUNT  
APPLICATION**

Creator: NDR	Date: 07/07/11	Revision: Rev:
Drawing Title: PSSERPRODDDESIGNSPEC01		
© 2010 Phantom Mfg. Intl Ltd.		Scale: NTS